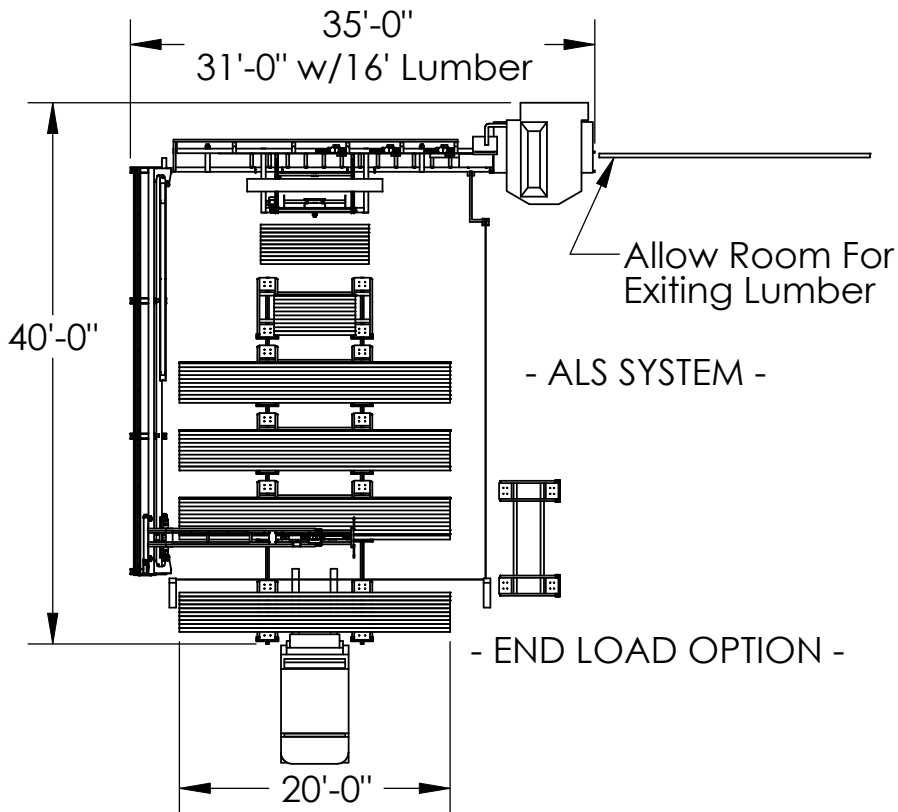


WoodRunner

by Apex Machine Works

ALS System Specs



Machine Specs

UL/CUL approved electrical panel

208/230 or 460volt 3 phase 20 amp circuit. Specify voltage at time of order.

90 psi and 15 scfm compressed air required.

Machine operating temperature: 33-105 degrees F.

